

A Comparative Study Of Harmonic Reduction Technique For Non-Linear Load Applications

¹Anjali Solanki, ²Garima Goswami & ³Pankaj Kr. Goswami

¹M.Tech. Scholar, Jaipur National University, Jaipur, Rajasthan, India

²Associate Professor, Jaipur National University, Jaipur, Rajasthan, India

³Associate Professor, Jaipur National University, Jaipur, Rajasthan, India

Email- anjali.solanki0708@gmail.com, grmsinha@gmail.com, g.pankaj1@gmail.com

Abstract

In this paper, three controllers are designed in order to reduce the total harmonic distortion in the system. These controllers are specially designed to operate in collaboration with non linear loads. Non linear loads are mostly responsible for the generation of harmonics in the system and create a number of power quality problems. Hence it becomes necessary to control the harmonic content in the system. Initially a model is designed on MATLAB/Simulink with linear load which resulted in THD content of less than 1%. Another model designed with non linear load shows THD 146.6%. To reduce this harmonic content three controllers are used and a comparative analysis is carried out. Three controllers are low pass filter (LPF), high pass filter (HPF) and proportional integral & derivative (PID) controller which reduces the THD to 11.05%, 5.548% and 4.75% respectively. Hence it is found that PID controller proved out to be the best among all converters.

Keywords: Harmonics, Power Quality, MATLAB/Simulink, HPF, LPF, PID controller.

1- INTRODUCTION

It is being observed that the increasing nonlinear loads whose operations are basically based on power electronic devices have increased a number of power quality problems. The uneven distribution of dynamically changing single-phase loads gives rise to the additional problems of excessive neutral current and current unbalance [1]. These nonlinear loads may be like power supplies, rectifier equipment used in telecommunication networks, domestic appliances, adjustable speed drives, etc. and they offer highly nonlinear characteristics [2]. Hence PQ monitoring has become an important aspect for measuring the effectiveness of smart grid implementations and trial projects [3]. Increase of numerous nonlinear industrial, commercial and residential types of loads that are generating pollution has led to 100% total current harmonic distortions into the grids [4]. Rapid increase energy efficient solid state semiconductor switches in nonlinear electrical loads such as arc furnaces, rectifier, and

adjustable speed drives, etc. has resulted in various undesirable effects on electrical power systems [5]. Nonlinear loads are mainly of two type's current-source and voltage-source fed loads [6]. PQ problems are like harmonics, flicker, and imbalance in system, transients, voltage sag/swell, and interruption [7]. Various methods and algorithm are applied to control the flow of active and reactive power and also to reduce the PQ problems [8]. Active filters are one of such devices which allow the coexistence of nonlinear loads and good energy quality in distribution networks [9]. Optimization of the overall performance of the electrical grid is one of the most important aspects for the viability of distributed generation systems [10]. Different converters are also used for this purpose and implementing the modulation in multiphase converters becomes costly and time consuming [11]. As now a days importance is been given to the renewable energy based power generation methods which makes use of a large number of diesel generator operating on power

electronic devices. Controlling of interfacing converters introduces resonance related issues in the system [12-13]. This increase in nonlinear loading is also responsible for unsymmetrical single-phase topologies like large harmonic currents, reactive power, and negative sequence current (NSC) are injected in the grid which adversely affects the safety of grid [14]. To reduce these type of problems researchers have introduced Modulation in Space vector but it increased switching complexity. So, multilevel inverters were employed to improve drive performance but it proved to be expensive and increased switching losses of inverter [15]. Active power filter are mostly used to improve the power quality in the power system. These filters are used in shunt, series and a combination of shunt and series connection to compensate the voltage and current based distortions [16]. Installing Tuned Passive Filter (TPF) is the simplest and the oldest method of improving PQ. This makes a low impedance path at the tuned frequency. Due to its low cost and robustness it is used widely but along with aging its filtering efficacy reduces [17]. PI, PID and Fuzzy Logic Controller (FLC) based shunt active filter are also used for power line conditioners (PLC) to improve the power quality in the distribution network. These types of filters are implemented with current controlled cascaded multilevel voltage source inverter (VSI) [18]. As multilevel inverters can generate cleaner voltage and reduces switching losses, they have become very popular to use for improving the power quality in the last few years [19]. In the applications in which low and medium voltage is required, multilevel converters allows the

use of low cost components with lower voltage ratings that are produced commercially at higher quantities than high-voltage components [20]. Some other methods to deal with PQ problems which can be carried out by means of active power line conditioners, like unified power quality conditioners (UPQCs), shunt, series and hybrid active power filters (APFs) and dynamic voltage restorers [21]. Along with the power system, in transportation sectors several types of controllers are used to control the speed, like PID controller [22]. This is the era where industrial development is at its peak hence preserving the environment has also become equally important. So hybrid electric vehicles (HEVs) have been developed for achieving these goals as they do not necessarily requires external battery charging or new infrastructure [23]. Some of the conventional methods commonly used in industrial APF are hysteresis control and proportional-integral (PI) control. Although new control methods have also been proposed, such as fuzzy control, sliding mode variable structure control, adaptive control methods [24]. Fuzzy logic based controllers being increasingly applied to many systems with nonlinearity and uncertainty [25].

2- POWER QUALITY ANALYSIS WITH LINEAR LOAD APPLICATIONS

In linear circuit, the output response is directly proportional to input. Simulink model is given in figure 1 which shows the effect of linear load on power quality. Theoretical as well as practical realization of this model shows smooth current waveform. The result of this model is basically used to compare the power quality with nonlinear load applications.

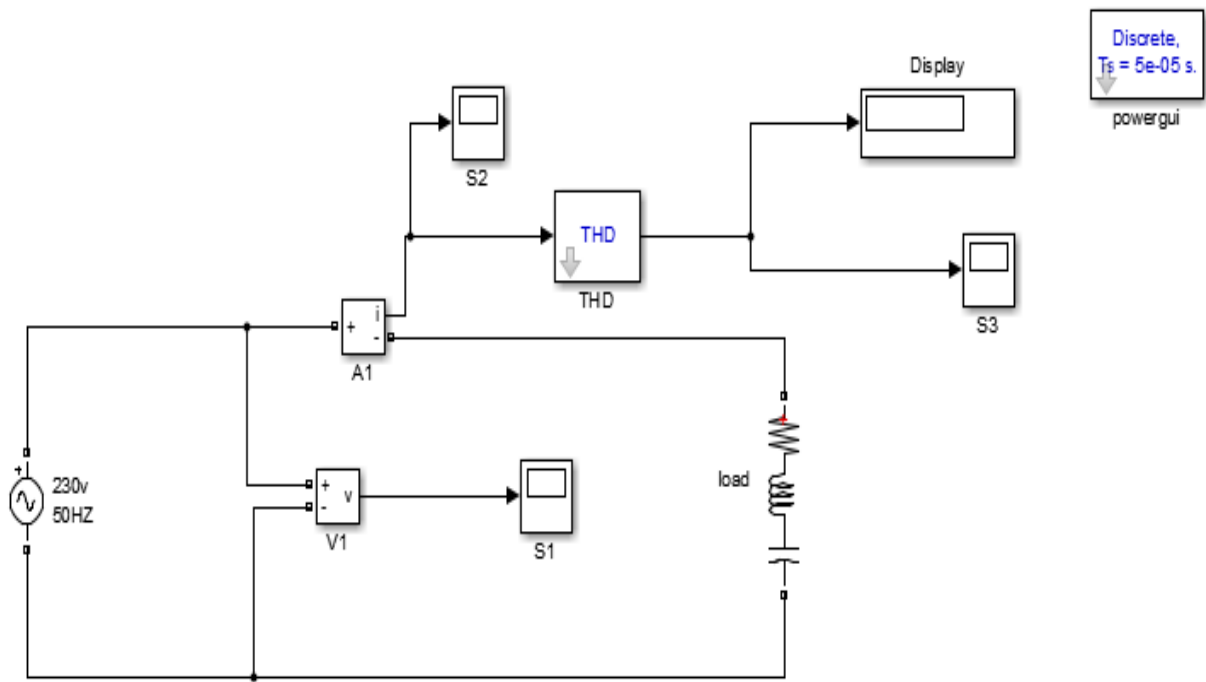


Figure 1:- Simulink model with linear load

2.1- SIMULATION RESULTS AT LINEAR LOAD

The voltage waveform at the input side is shown in figure 2, and load current waveform is shown in figure 3.

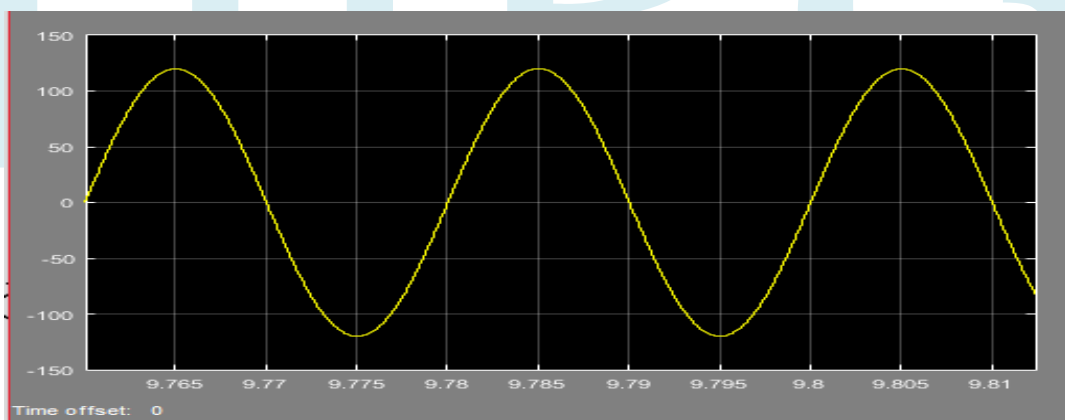


Figure 2:- Source voltage

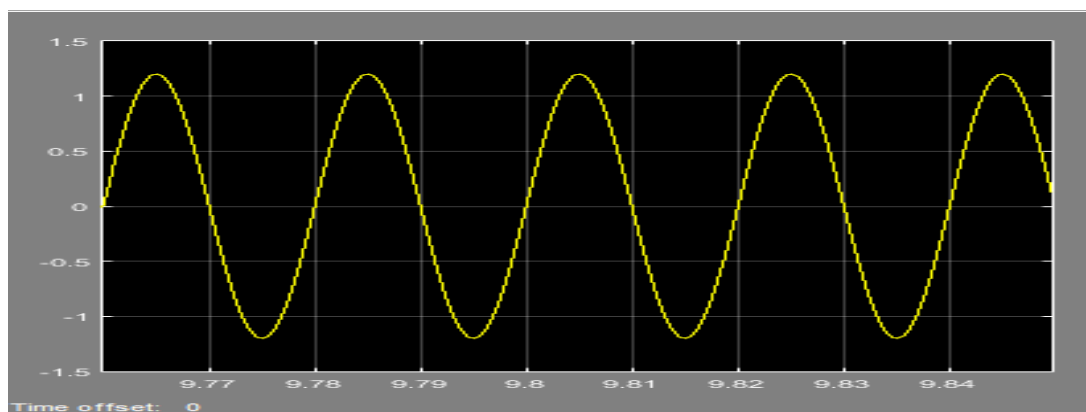


Figure 3:- Load current

3- POWER QUALITY PROBLEMS WITH NONLINEAR LOAD APPLICATION

A nonlinear element is one which does not have a linear input-output relation. Simulink model is given in figure 4 which show the

effect of nonlinear load (rectifier) on power quality in terms of harmonic distortion. Source voltage waveform is given in figure 5 and the distorted load current waveform is depicted in figure 6.

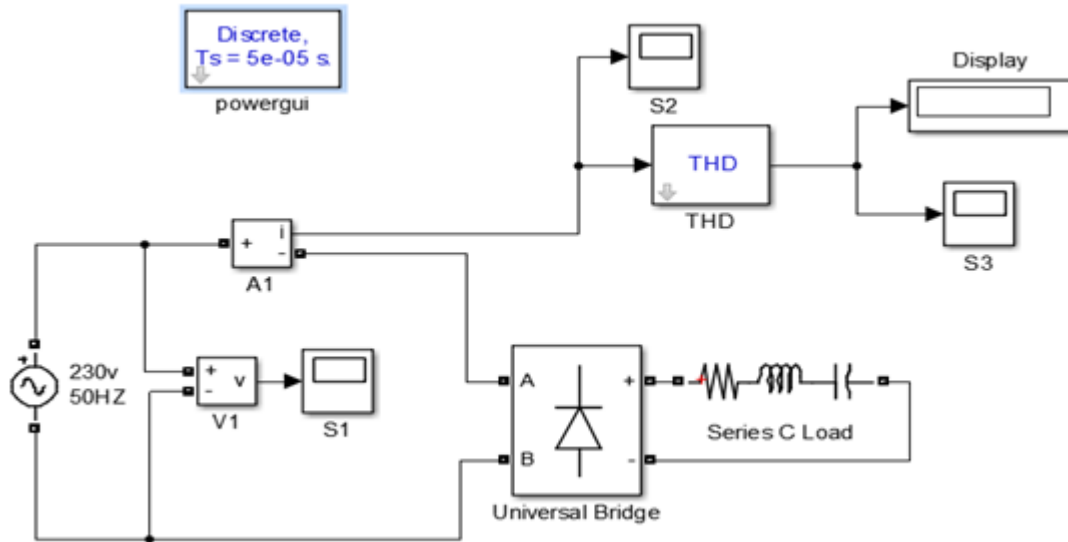


Figure 4:- Simulink model for nonlinear load

3.1- SIMULATION RESULTS AT NONLINEAR LOAD

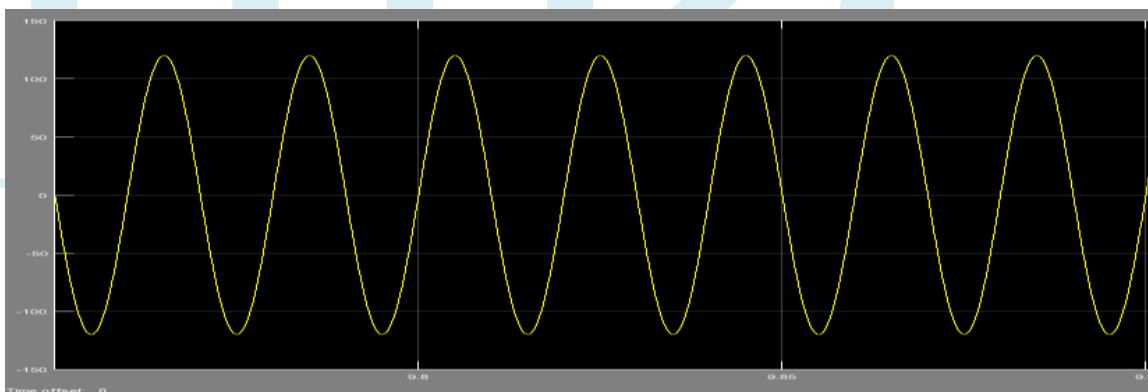


Figure 5:-Source voltage

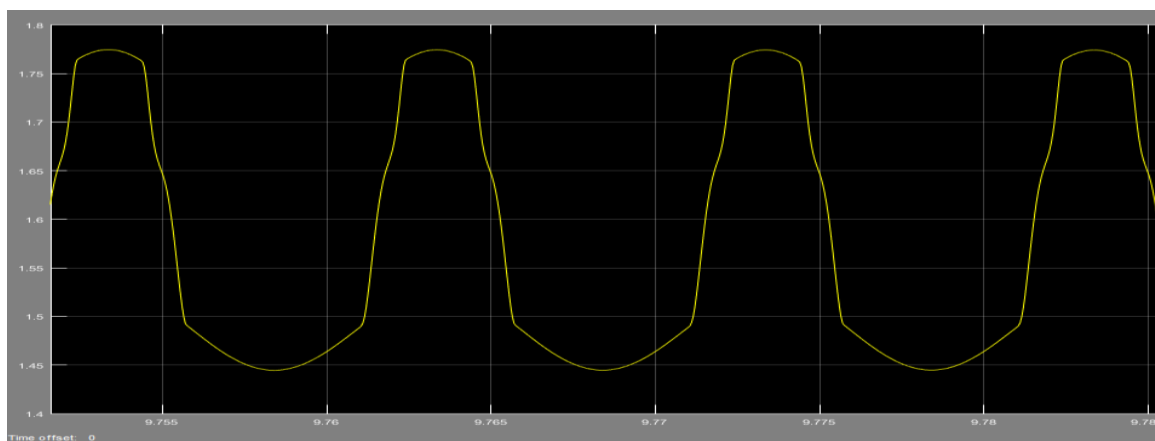


Figure 6:- Line current with total harmonic distortion

4- POWER QUALITY IMPROVEMENT WITH NONLINEAR LOAD USING LOW PASS FILTER

Nonlinear load produces a very high level of distortion in power quality which is shown in terms of percent THD. A Simulink based

model is proposed to reduce these harmonics from input current to provide significant improvement in overall THD. The proposed methodology consists of low pass filter (LPF) and the corresponding model is shown in figure 7.

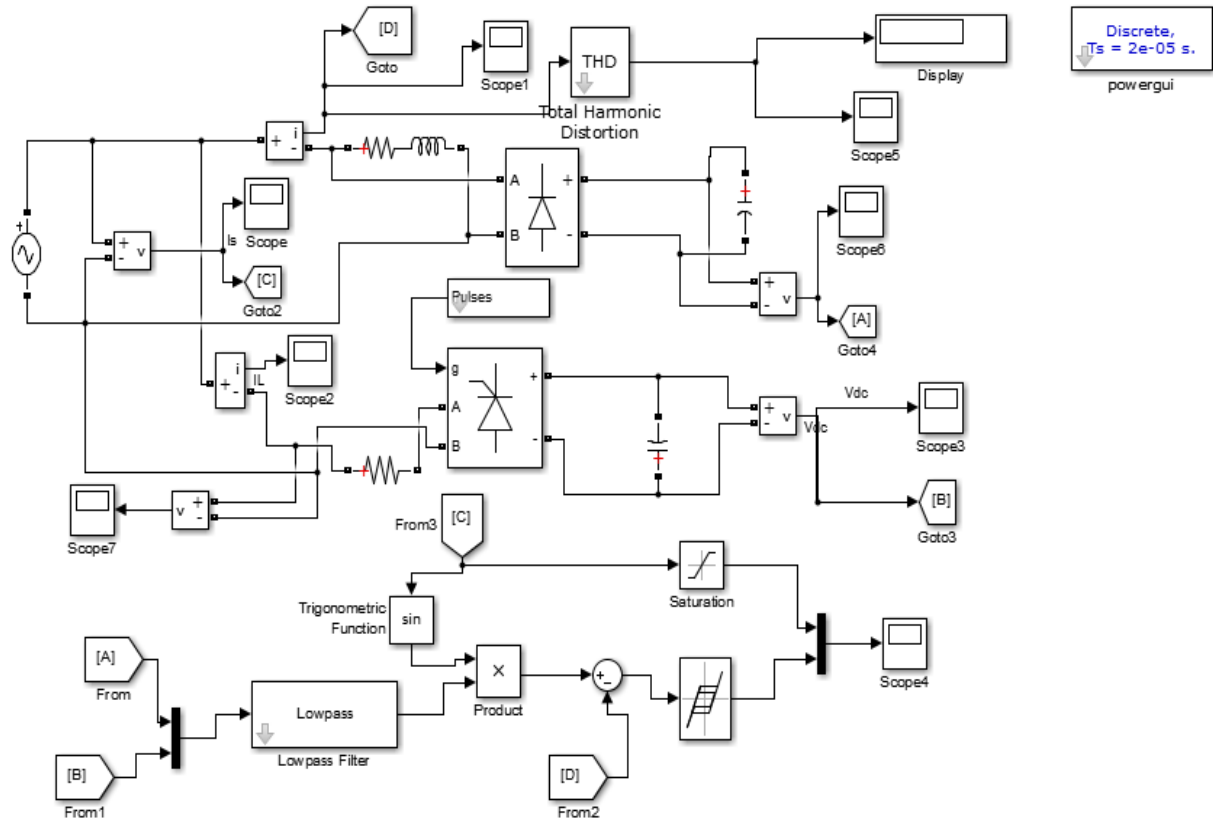


Figure 7:- Simulink model of proposed Harmonic Reduction scheme using LPF

4.1- SIMULATION RESULTS OF PROPOSED SCHEME WITH LPF

The voltage waveform at the input side is shown in figure 8, distorted line current waveform is shown in figure 9 and total harmonic distortions are shown in figure 10.

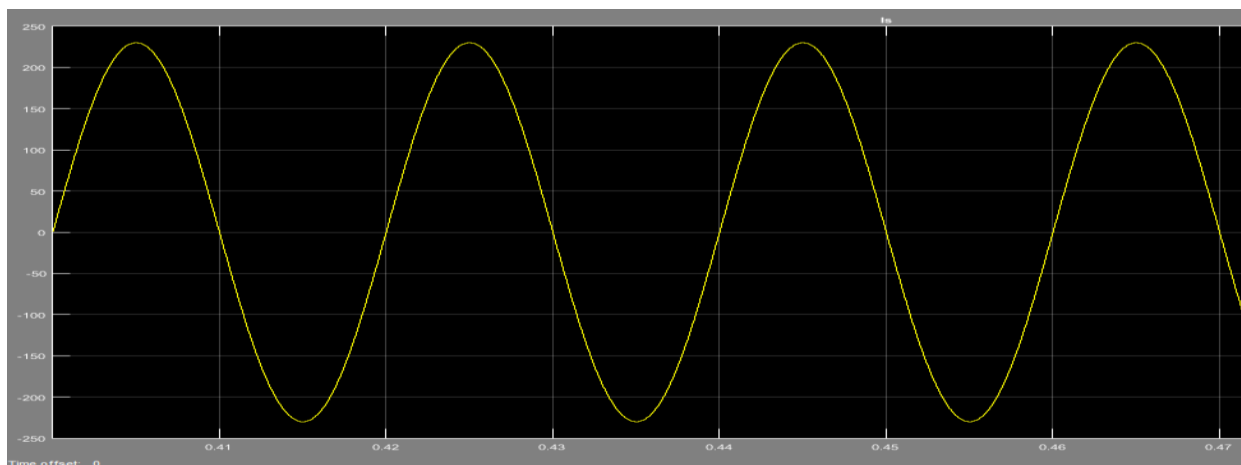


Figure 8:- Source voltage

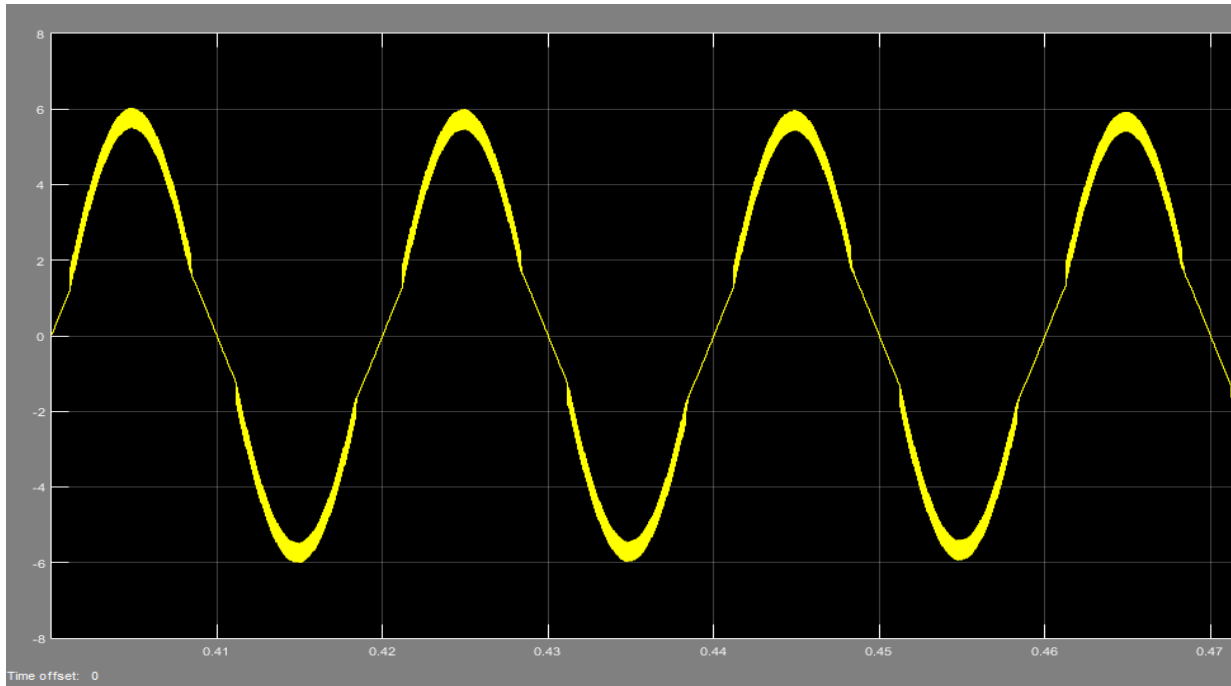


Figure 9:- Harmonic distortion in line current

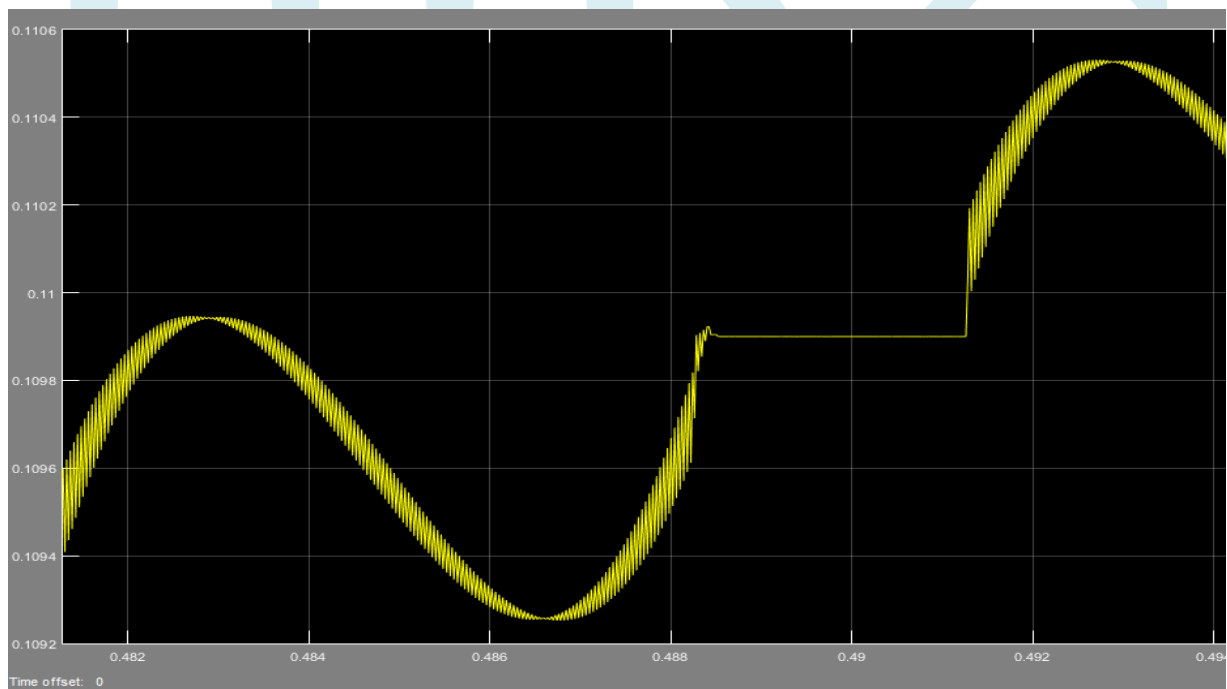


Figure 10:- Total harmonic distortion

5- POWER QUALITY IMPROVEMENT WITH NONLINEAR LOAD USING HIGH PASS FILTER

Low pass filter produces high level of distortion in power quality which is shown in terms of percent THD. In order to further reduce harmonic distortion a Simulink based

model is proposed to reduce these harmonics from input current to provide significant improvement in overall THD. The proposed methodology consists of high pass filter (HPF) and the corresponding model is shown in figure 11.

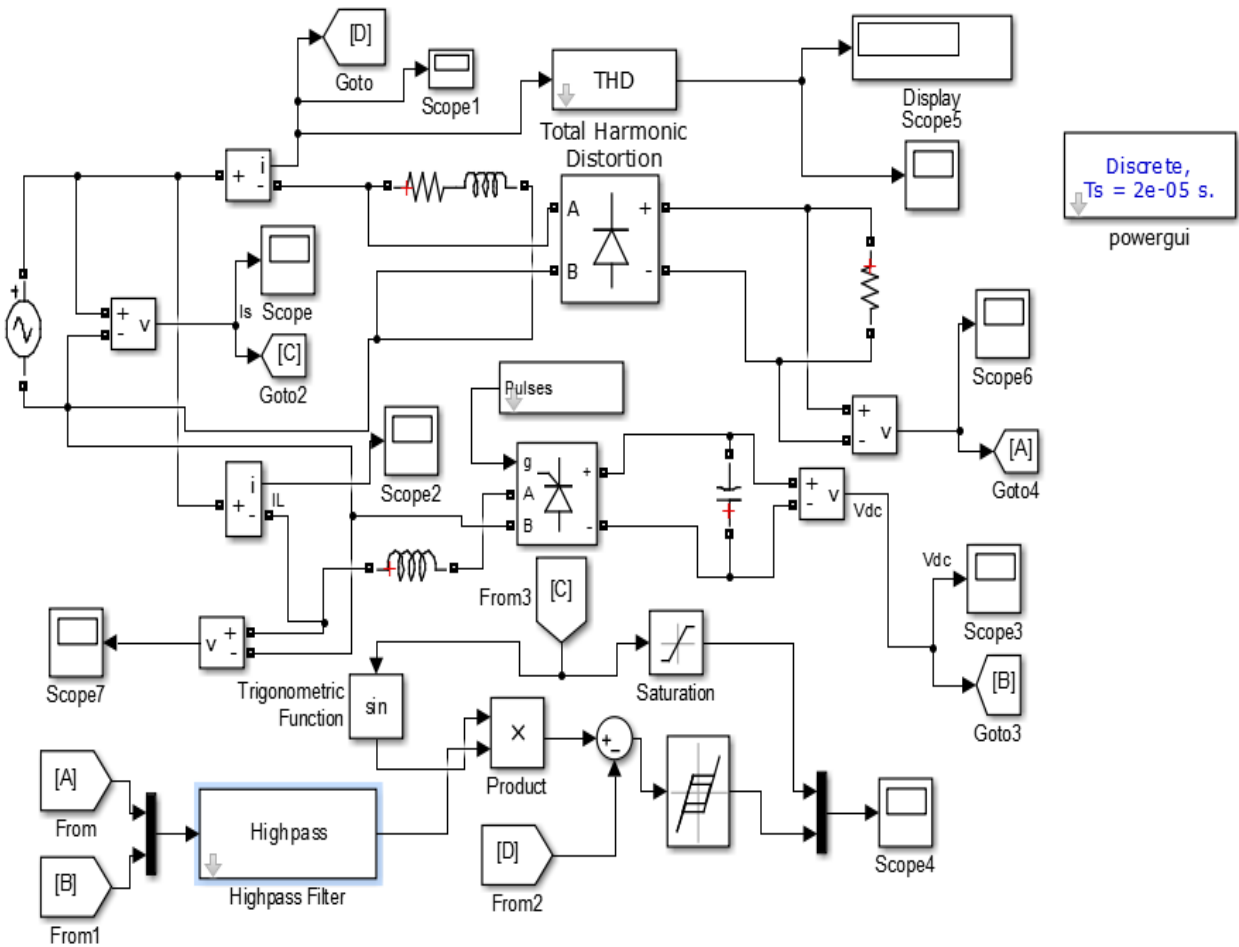


Figure 11:- Simulink model of proposed Harmonic Reduction scheme using HPF

5.1-SIMULATION RESULTS OF PROPOSED SCHEME WITH HPF

The voltage waveform at the input side is shown in figure 12; distorted line current waveform is shown in figure 13 and total harmonic distortions are shown in figure 14.

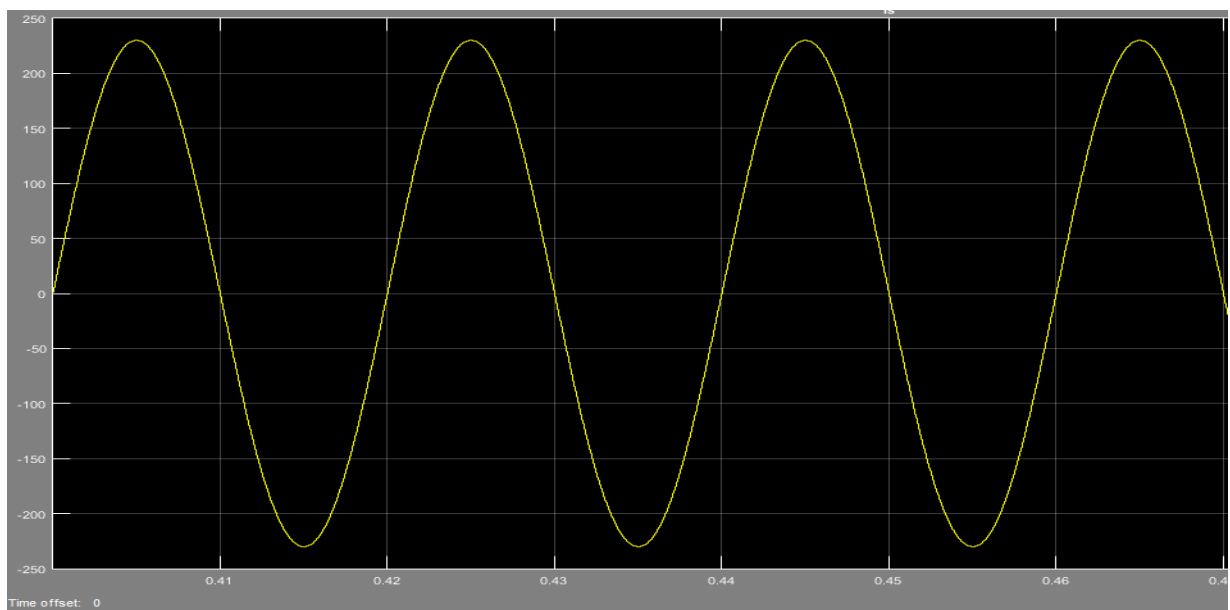


Figure 12:- Source voltage

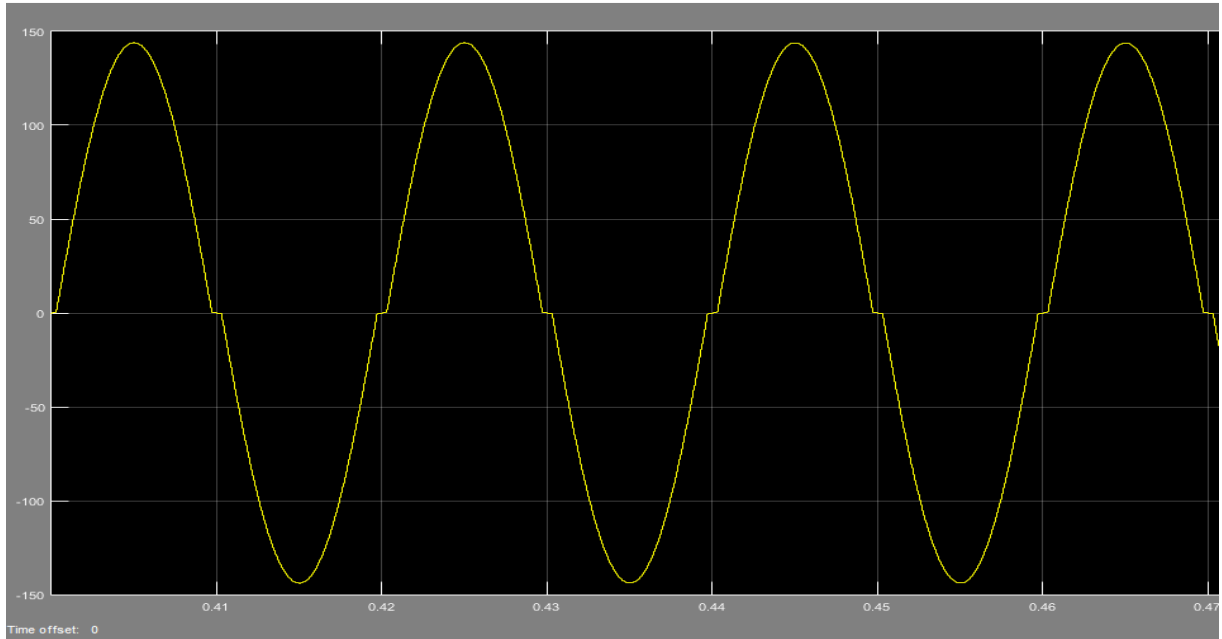


Figure 13:- Harmonic distortion in line current

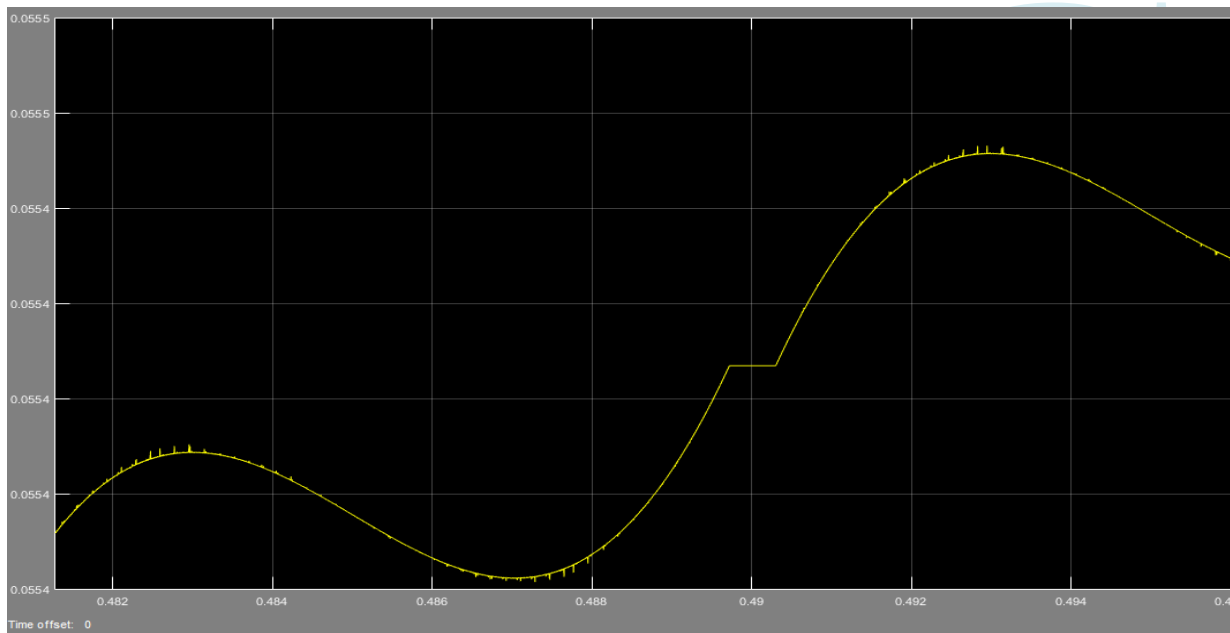


Figure 14:- Total harmonic distortion

6- POWER QUALITY IMPROVEMENT WITH NONLINEAR LOAD USING PID CONTROLLER

High pass filter also produces a small level of distortion in power quality that is shown in terms of percent THD. Finally a Simulink

based model is proposed to reduce these harmonics from input current and hence to provide significant improvement in overall THD. The proposed methodology consists of proportional integral derivative (PID) and corresponding model is shown in figure 15.

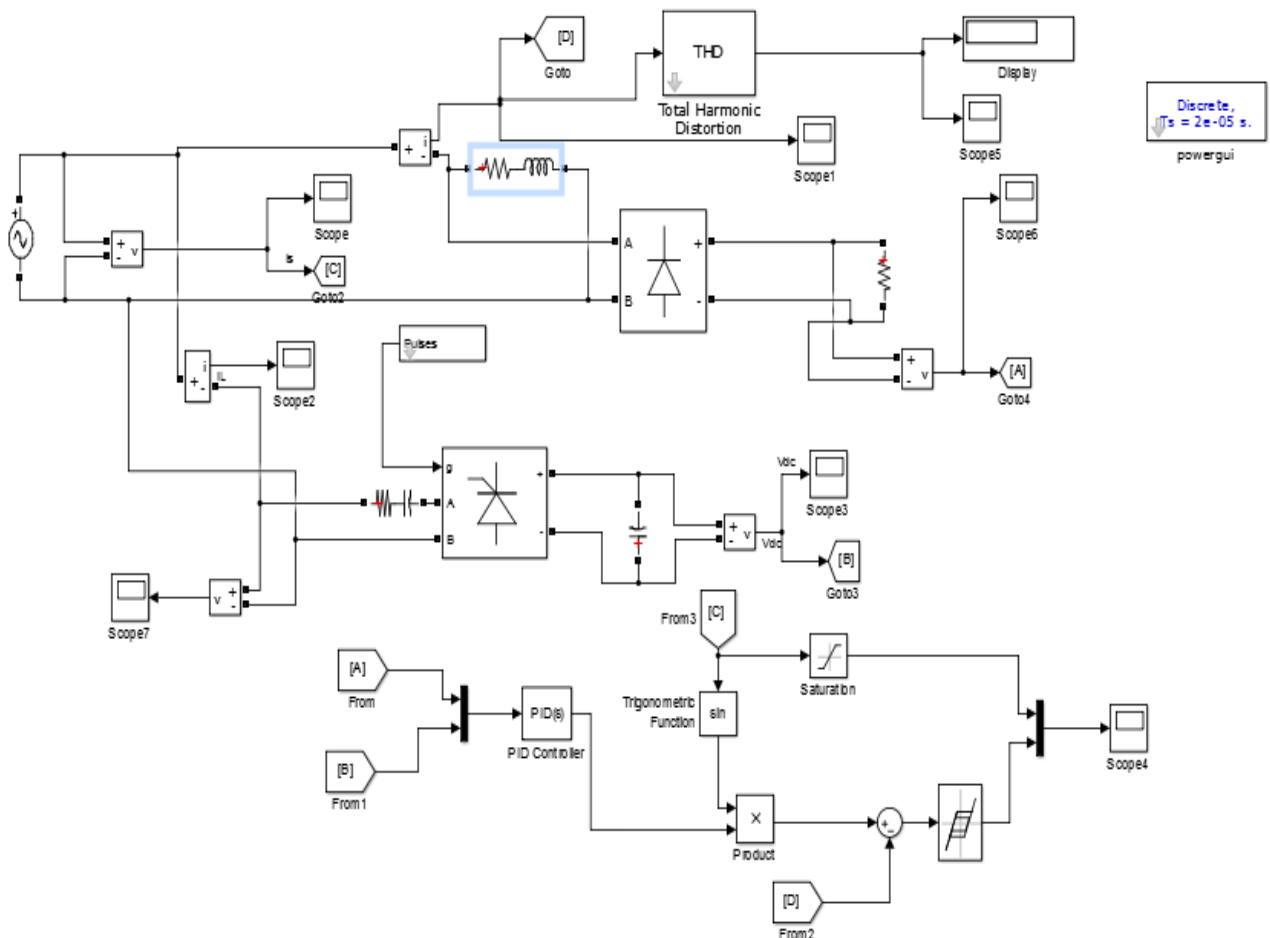


Figure 15:- Simulink Model of Proposed Harmonic Reduction scheme with PID controller

6.1- SIMULATION RESULTS OF PID CONTROLLER

The voltage waveform at the input side is shown in figure 16; distorted line current waveform is shown in figure 17 and total harmonic distortions are shown in figure 18.

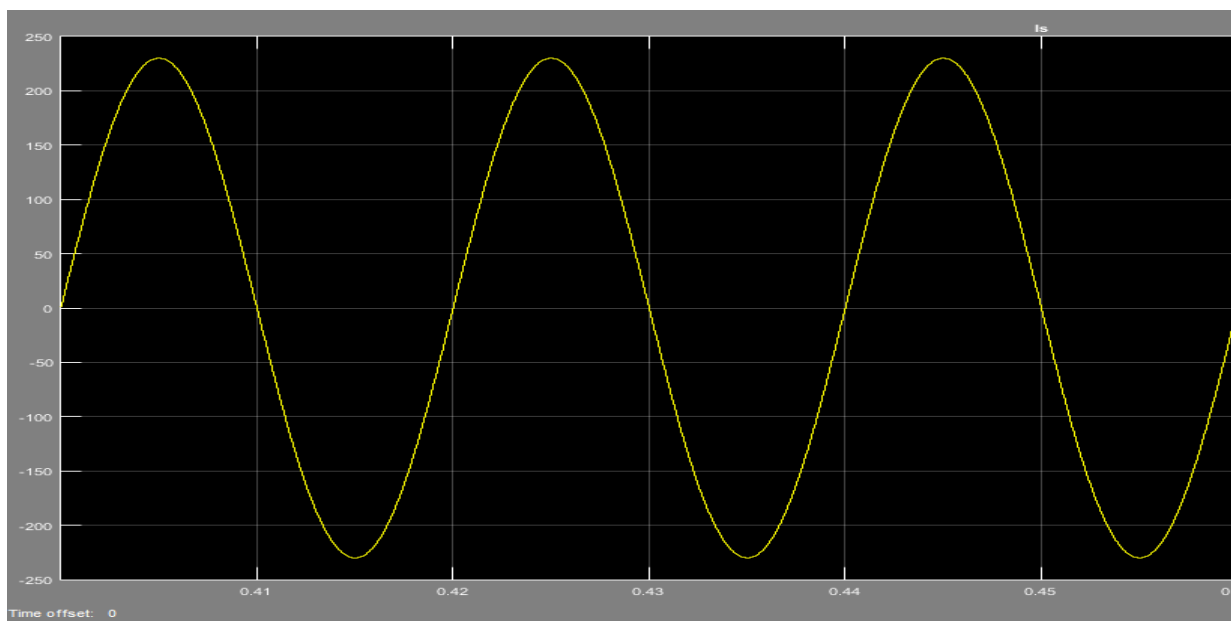


Figure 16:- Source voltage

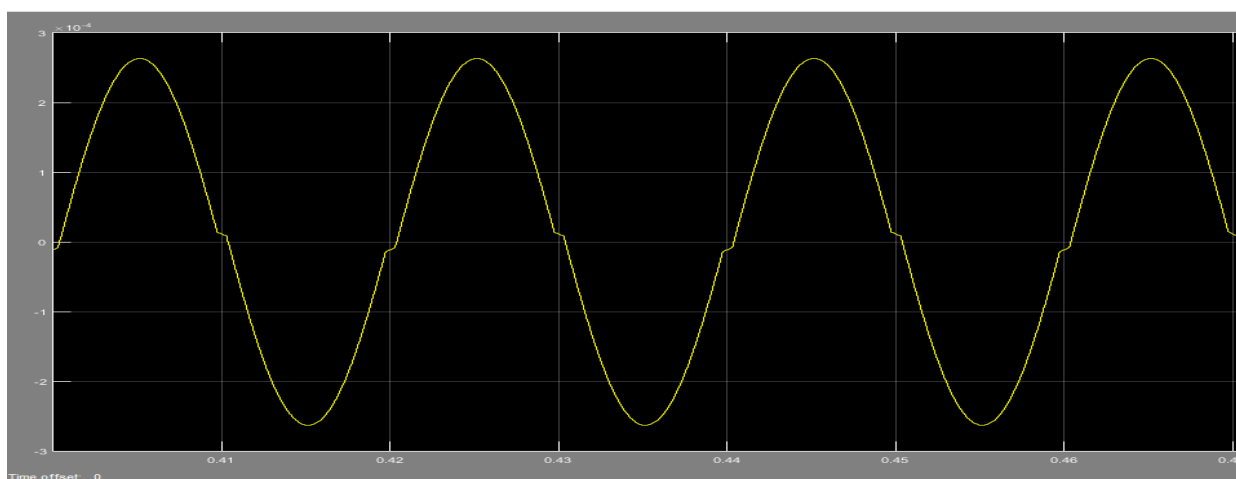


Figure 17:- Harmonic distortion in line current

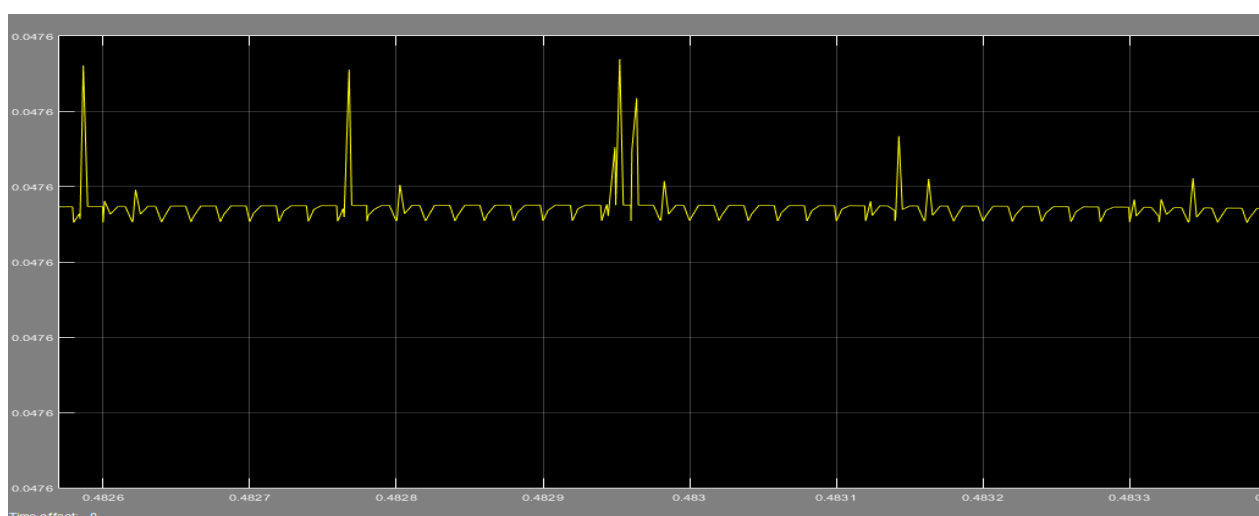


Figure 18:- Total harmonic distortion

7- RESULT AND DISCUSSION

A comparative analysis is carried out for both linear and non linear loads with different types

of controllers. Percent THD obtained for different conditions is shown in table 1.

Table 1: Comparative analysis of power quality improvement

Type of Load	Controller Used	Applied voltage (peak value) (Vs)	THD
Linear	None	230 V	Less than 1%
Non-Linear	None	230 V	146.6%
Non-Linear	LPF	230 V	11.05%
Non-Linear	HPF	230 V	5.548%
Non-Linear	PID	230 V	4.75%

8- CONCLUSION

In this study an analysis is carried out for developing and implementing a controller which is capable for reducing the total harmonic distortion to a preferable amount. Firstly THD is calculated for a simple circuit having a linear

load without any controller. Simulation is carried out on MATLAB and it is found that percent THD in load current is less than 1%. This means that linear loads are not responsible for harmonic distortion and deteriorating power quality. Another model is

prepared on MATLAB with nonlinear loads and simulation results shows that the THD% in line current is extensively high and noted to be 146.6%. To reduce the harmonic content, a low pass filter is used as a controller. Model is prepared on MATLAB and simulation results of this model show that THD in line current is greatly reduced to 11.05%. In general this value of harmonic content is also high and needed to be reduced further. Now another model is prepared on MATLAB using a high pass filter as a controller. The simulation result shows that THD in line current is further reduced to 5.548%. For further reducing harmonic content another controller is used i.e. PID controller. Finally a model is prepared on MATLAB and simulation results show that THD in line current is reduced to 4.75%, which is under the preferred permissible value of harmonic content. Hence it can be said that the power quality is improved.

9- REFERENCES

- [1] Parag Kanjiya, Vinod Khadkikar and Hatem H. Zeineldin, "A Noniterative Optimized Algorithm for Shunt Active Power Filter Under Distorted and Unbalanced Supply Voltages," VOL. 60, NO. 12, DECEMBER 2013.
- [2] C. N. Bhende, S. Mishra, and S. K. Jain, "TS-Fuzzy-Controlled Active Power Filter for Load Compensation," VOL. 21, NO. 3, JULY 2006.
- [3] Steven M. Blair, Campbell D. Booth, Gillian Williamson, Alexandros Poralis, and Victoria Turnham, "Automatically Detecting and Correcting Errors in Power Quality Monitoring Data," DOI 10.1109/TPWRD.2016.2602306, IEEE Transactions on Power Delivery.
- [4] Alireza Javadi, Abdelhamid Hamadi, Auguste Ndtoungou, and Kamal Al Haddad, "Power Quality Enhancement of Smart Households using a Multilevel-THS AF with a PR Controller," DOI 10.1109/TSG.2016.2608352, IEEE Transactions on Smart Grid.
- [5] Phumin Kirawanich, and Robert M. O'Connell, "Fuzzy Logic Control of an Active Power Line Conditioner," VOL. 19, NO. 6, NOVEMBER 2004.
- [6] Manoj Badoni, Alka Singh, and Bhim Singh, "Variable Forgetting Factor Recursive Least Square Control Algorithm for DSTATCOM," IEEE Transactions on Power Delivery, Vol. 30, No. 5, October 2015.
- [7] Ahmet Teke, Lutfu Saribulut, and Mehmet Tumay, "A Novel Reference Signal Generation Method for Power-Quality Improvement of Unified Power-Quality Conditioner," VOL. 26, NO. 4, OCTOBER 2011.
- [8] Sabha Raj Arya, Ram Niwas, Krishan Kant Bhalla, Bhim Singh, Ambrish Chandra, and Kamal Al-Haddad, "Power Quality Improvement in Isolated Distributed Power Generating System Using DSTATCOM," VOL. 51, NO. 6, November/December 2015.
- [9] Ramon Costa-Castello, Robert Grino, Rafel Cardoner Parpal, and Enric Fossas, "High Performance Control of a Single-Phase Shunt Active Filter," IEEE Transactions on Control Systems Technology, Vol. 17, No. 6, November 2009.
- [10] Jakson P. Bonaldo, Helmo K. M. Paredes, Jose Antenor Pomilio, "Control of Single-Phase Power Converters Connected to Low Voltage Distorted Power Systems with Variable Compensation Objectives," Citation information: DOI 10.1109/TPEL.2015.2440211, IEEE Transactions on Power Electronics.
- [11] Iraide Lopez, Salvador Ceballos, Josep Pou, Jordi Zaragoza, Jon Andreu, Inigo Kortabarria, and Vassilios G. Agelidis, "Modulation Strategy for Multiphase Neutral-Point-Clamped Converters," IEEE Transactions on Power Electronics, Vol. 31, No. 2, February 2016.
- [12] Jinwei He, Yunwei Li, Frede Blaabjerg and Xiongfei Wang, "Active Harmonic Filtering Using Current-Controlled, Grid-Connected DG Units With Closed-Loop Power Control," VOL. 29, NO. 2, FEBRUARY 2014.
- [13] S V S Phani Kumar Ch and R. Dileep Kumar, "Power Quality Improvement Of Grid Integrated Type I Wind Turbine Generation System Operating as DSTATCOM by d-q Control Method," J. Electrical Systems 12-2 (2016): 278-290.
- [14] Sijia Hu, Yong Li, Bin Xie, Mingfei Chen, Zhiwen Zhang, Longfu Luo, Yijia Cao,

Andreas Kubis and Christian Rehtanz, "A Y-D Multifunction Balance Transformer-Based Power Quality Control System for Single-Phase Power Supply System," VOL. 52, NO. 2, MARCH/APRIL 2016.

[15] H. Sudheer, S. F. Kodad and B. Sarvesh, "Torque Ripple Reduction in Direct Torque Control of Induction Motor using Fuzzy Logic based Duty Ratio Controller," International Journal of Electronic Engineering Research, Vol. 3, No. 1, 2011, pp. 1-12.

[16] M. Vijaya Kumar and S. Vijayan, "A Comparative Study and Implementation of Controller for UPQC in Single-Phase to Three-Phase System," International Journal of Engineering and Technology (IJET).

[17] Tiago DaviCuriBusarello, Jose AntenorPomilio and Marcelo Godoy Simoes, "Passive Filter Aided by Shunt Compensators based on the Conservative Power Theory," DOI 10.1109/TIA.2016.2544829, IEEE Transactions on Industry Applications.

[18] P.Karuppanan, S. K. Pattnaik and K.K. Mahapatra, "Fuzzy Logic Controller Based Active Power Line Conditioners for Compensating Peactive power and Harmonics," ICTACT Journals on Soft Computing, Vol.1, No.1, July-2010, pp.49-53.

[19] Alexander Varschavsky, Juan Dixon, Mauricio Rotella, and Luis Moran, "Cascaded Nine-Level Inverter for Hybrid-Series Active Power Filter, Using Industrial Controller," IEEE Transactions On Industrial Electronics, Vol. 57, No. 8, August 2010.

[20] Stefan M. Goetz, C. N. Truong, M. G. Gerhofer, A. V. Peterchev, H.-G. Herzog, and T.Weyh, "Analysis and optimization of pulse dynamics for magnetic stimulation," PLoS ONE, vol. 8, e55771, 2013.

[21] Rodrigo Augusto Modesto, Sergio Augusto Oliveira da Silva, Azauri Albano de Oliveira Junior, and Vinicius Dario Bacon, "Versatile Unified Power Quality Conditioner Applied to Three-Phase Four-Wire Distribution Systems Using a Dual Control Strategy," DOI10.1109/TPEL.2015.2487867, IEEE Transactions on Power ElectronicsTPEL-Reg-2015-06-0923.R1.

[22] Alaeddine Ben Jridi, Nadia Chaker, HelmiAloui, RafikNeji and AbdelmajidOualha, "Adaptive Fuzzy-PI Control for Speed's Tracking in a Leisure Electrical Vehicle," J. Electrical Systems 12-3 (2016): 475-489

[23] Fazal U. Syed, Ming L. Kuang, Matt Smith, Shunsuke Okubo, and Hao Ying, "Fuzzy Gain-Scheduling Proportional-Integral Control for Improving Engine Power and Speed Behavior in a Hybrid Electric Vehicle," IEEE TRANSACTIONS ON VEHICULAR TECHNOLOGY, VOL. 58, NO. 1, JANUARY 2009.

[24] Zheng Zeng, J. Yang, and N. Yu, "Research on PI and repetitive control strategy for shunt active power filter with LCL filter," in Proc. IEEE IPEDMC, pp. 2833-2837, 2012.

[25] W. Li, "Optimization of a fuzzy logic controller using neural network," in Proc. 3rd IEEE Conf. Fuzzy Syst., Orlando, FL, June 1994, pp. 223-227.