



Solar and Thermal Power Generation

Rahul Verma¹, Dr. Deepika Chauhan²

²Assistant Professor,

^{1,2}Department of Electrical Engineering,

Poornima College of Engineering, Jaipur, Rajasthan, India

ABSTRACT

Energy is the driving force for almost everything including the economy, society and technology all around the world. This makes energy generation an important and ever increasing responsibility.

environmental problems. The burning of fossil resources factors the release of carbon dioxide (CO₂) that accumulates in the surroundings a greenhouse gas (GHG) which might alternate the steadiness of global local weather. In order that many study are interested for renewable power in their one-of-a-kind forms thermal, photovoltaic, hydro, biomass and geothermal. Solar rays are an inexhaustible source of energy during the sector. It is used in quite a lot of functions as a supply of easy and renewable energy. Amongst this solar thermal applications comprise electrical power new release. This paper experiences the electrical energy iteration from solar thermal energy established especially on parabolic trough, linear fresnel reflector, barabolic dish and so forth. Examples of solar thermal power vegetation will likely be discussed on this paper. This paper also offers with the concentrated solar power (CSP).

Keywords: CSP, parabolic trough, fresnel reflector, photovoltaic

Introduction:

Solar thermal power is an important renewable energy supply that is expected to play a big role one day power. Concentrated sunlight power (CSP) is a fundamental option for harnessing sun power that has been receiving growing awareness for the period of past a few decades. Presently 4 candidates CSP technologies show up to have accomplished

affordable level of technological maturity. These are parabolic trough, energy tower, linear Fresnel reflector and parabolic dish. Among the solar power, Wind power, Bio-fuels, geothermal and nuclear most on hand is the solar energy. Study in solar thermal had been going down for long among all Photovoltaic solar and concentrating sunlight energy are among the many generally used applied sciences for business electricity iteration at present.

Not too long ago, a lot study efforts were made closer to revealing exceptional elements of CSP integration into the energy grid. Research works have proposed the optimized operational planning of CSP plants with thermal storage for maximizing the revenue of the CSP systems. Government and others have proposed a stochastic planning strategy for assessing MW degree useful resource of sun hybrid system. There are different units of research works devoted in revealing the technoeconomic efficiency of CSP technologies in exclusive areas in energy programs. With the addition of new science similar to Linear Fresnel Reflectors (LFR), an extensive science evaluation has been done in with probably the most mature and lowest rate CSP technological know-how: parabolic trough.

Design of sunlight thermal energy plants has also been discussed in the paper. It states that solar thermal power plant, pretty much involves a solar discipline and a thermal energy new release unit much like the one utilized in thermal energy crops utilizing coal or other fossil fuels. The sunlight subject raises the temperature of a thermal fluid, which in flip supplies crucial heat for producing saturated steam within the steam generator. The

saturated steam is super heated and fed to the turbine for steam generation. The main points of field installation have also been mentioned.

DESIGN:

A solar thermal energy plant, virtually involves a sunlight discipline and a thermal power new release unit much like the one utilized in thermal energy vegetation making use of coal or different fossil fuels. The solar field raises the temperature of a thermal fluid, which in turn supplies imperative warmth for producing saturated steam in the steam generator. The saturated steam is superheated and fed to the turbine for steam generation. A distinctive parametric be trained used to be carried out to establish the operating temperature and pressure.

Before the process, some changes were incorporated on the configuration finalized on the basis of following

The maximum operating temperature of the oil in the collector field was raised to 390 C, as a consequence of the inputs received from the Nevada Solar One—A CSP Plant operational since 2007. Hot oil storage was included in the plant design to take care of the turbine functioning and operation in low DNI conditions. As the strategy was to include some more technologies in Solar thermal collector, an option of direct steam generation by Linear Fresnel Reflector (LFR) was included in the design.

Hence after implementing the above changes, the final block diagram of the process flow is shown in fig 1.

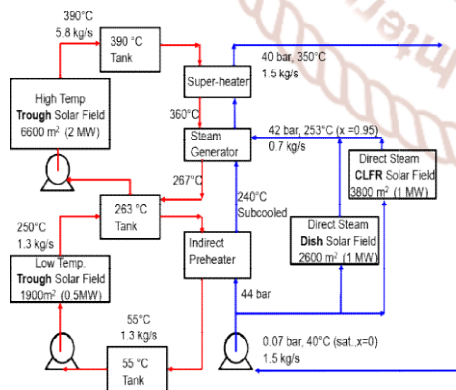


Figure-1

WORKING OF DIFFERENT METHODS:

There are many technologies to be had for solar thermal power plants. Amongst these many, the

following sun collectors have been used:

1) Parabolic Trough:

These use parabolic shaped polished mirrors to focal point the energy to a straight line where thermal fluid is flowing to soak up warmth which can be utilized to provide steam and run a turbine to produce electrical power. The parabolic shaped mirrors acquire the sunrays and concentrate them to a focal line where the HTF(high temperature fluid) oil is pumped. This HTF is then used to transfer the warmth to get superheated water. The oil used is Therminol VPI, and a 20 tonne of it has been charged in the oil circuit. Trough area has three loops each with output of 1 MWth at design DNI, which have been confirmed for an exit temperature of 390 C.

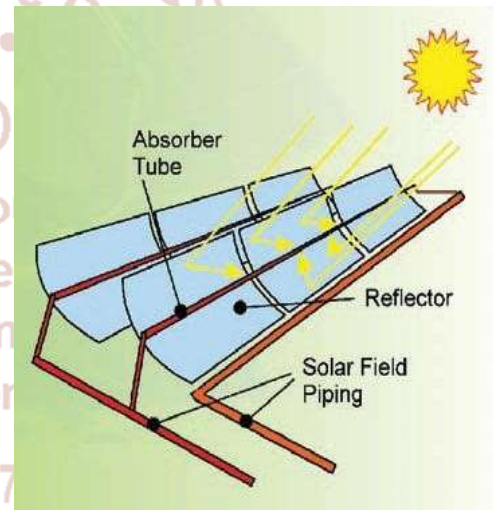


Figure-2-Parabolic trough working

2) Linear Fresnel Reflector:

Linear Fresnel reflectors use lengthy, thin segments of mirrors to focal point daylight onto a constant absorber placed at a normal focal point of the reflectors. The warmth concentrated to fixed receivers is then transferred to fluid, water itself right here, and then is charged to supply electrical energy. Not like the parabolic trough subject; the place the warmth is transferred to HTF and then, via a warmth exchanger, transferred to water, here the warmth is immediately being transferred to the water. A KG Design service was once chosen, after the tendering system, for the installation and commissioning of the LFR subject. LFR set up design makes use of 2 MWth energy on the insolation of 600 W/m2. This area is straight connected to the vigor block for generation of electrical energy as it does not

contain any HTF oil as a transfer media, for this reason no warmth exchanger concerned.

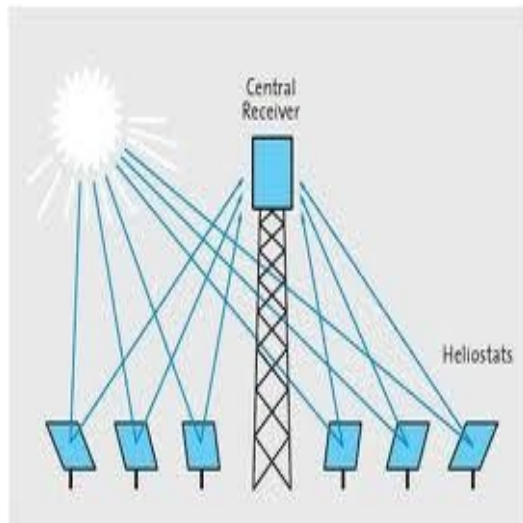


Figure-3-linear Fresnel Reflector

3) Dish sterling system:

The dish or Stirling procedure generates vigor with the aid of making use of parabolically arranged mirrors to mirror daylight onto a small focal receiver, thereby heating a gasoline chamber linked to a piston and force shaft. The power shaft powers a generator which produces electricity to be disbursed to a grid. A dish/Stirling procedure entails two accessories; the solar dish, which is easily a parabolic mirror or set of mirrors, and a Stirling engine, a closed-cycle engine that operates silently using any heat source. Efficiency for the Stirling engine methods highest theoretical effectivity for any engine technically as Carnot cycle effectivity.

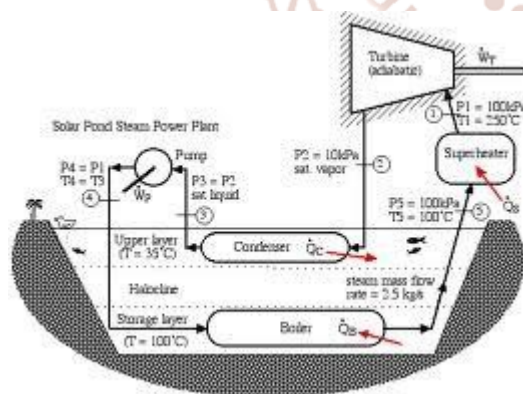


Figure-4-dish sterling system

4) Solar thermal power plant:

A sunlight pond is a pool of saltwater which acts as a giant-scale-solar-thermal energy collector with crucial warmth storage for offering thermal vigor. A sunlight pond can be used for more than a few purposes, corresponding to method

heating, desalination, refrigeration, drying and solar vigour new release.

ADVANTAGES

1) No gas rate - Solar Thermal energy does not require any fuel like most different sources of renewable energy. This is a huge talents over other fossil fuels whose expenses are growing at a drastic cost each 12 months.

2) Predictable, 24/7 power -sunlight Thermal power can generate energy 24 hours a day. This is made feasible as sun thermal energy crops retailer the energy in the type of molten salts etc.

3) No air pollution and global Warming effects-sun Thermal energy does no longer motive pollution which is without doubt one of the biggest benefits.

4) Utilising present Industrial Base- Solar Thermal vigor makes use of apparatus like sunlight thermal mirrors and mills which is made in big scale at low price via the present Industrial Base and requires no fundamental alterations in equipment and substances in contrast to new technologies akin to CIGs Panels.

APPLICATION:

Domestic water heating: solar domestic hot water approach makes use of the solar power amassed by a flat-plate sunlight collector and transfers the warmth to water or an additional liquid flowing through tubes. The system then attracts upon this reservoir when you want sizzling water inside of your dwelling. This procedure more often complements an present electrical or gas hot water process to lower your utility invoice and provide roughly 40-70% of your households annual sizzling water desires.

Domestic space heating: A sun area heater collects the solar power via a solar collector and directs the vigor into a thermal mass for storage later when the area is the coldest. Many methods involve a distribution system and manipulate gadgets to flow into the warmth for the duration of the space and to avoid loss from the collector field.

Solar cooking: solar cooking is a science which has been given a variety of awareness in latest years in developing nations. The elemental design is that of a box with a tumbler cover. The sunlight radiation raises the temperature sufficiently to boil the contents within the pots. Cooking time is in most cases so much slower than traditional cooking stoves but there is not any gas fee.

Crop drying: Controlled drying is required for various vegetation and merchandise, such as grain, espresso, tobacco, fruits vegetables and fish. Their first-class can be stronger if the drying is safely applied. Sun thermal technology can be used to support with the drying of crop. The most important precept of operation is to raise the heat of the product, which is mostly held within a compartment or field.

Day lighting: A easy and apparent use for sun vigour is to provide light for use in buildings. Many present day buildings, office blocks and business premises for instance, are designed in any such manner that electrical mild has to be offered during the daylight to provide sufficient light for the pursuits taking position within. An apparent improvement could be to design buildings in this type of manner that that the light of the solar can be utilized for this intent. The vigor savings are massive and typical lights is traditionally favored to artificial electric lighting.

Spacecooling:

The majority of the world's developing countries, however, lie within the tropics and have little need of space heating. There is a demand, however, for space cooling. The majority of the world warm- climate cultures have again developed traditional, simple, elegant techniques for cooling their dwellings, often using effects promoted by passive solar phenomenon.

CONCLUSION:

Sunlight thermal power crops are a technically feasible option to supply a tremendous fraction of the sector vigor demand. Although present fee of electrical energy produced by way of solar thermal energy crops is still excessive, there is a enormous expertise for fee reduction in a medium to long run. Some huge cash is currently invested to enhance enhancements and innovations with a purpose to acquire a colossal cost discount, as a result making discount of public subsidies possible. The MENA (centre East and North Africa) vicinity can play a huge function in the sunlight thermal power market, not simplest producing electrical power for interior consumption, but in addition exporting it.

Sunlight financial savings fraction is very important in dealing about sun vigor, which is the amount of vigor provided by way of the sun technology divided by means of the total energy required. Passive solar technologies almost always yield high sun saving fractions for house heating, when mixed with energetic sunlight applied sciences even greater traditional energy financial savings can also be

finished. The electrical energy generation from sunlight power can also be an principal characteristic that is available with different technologies comparable to sunlight tower and sun ponds. Nonetheless sun dish engine has the highest power efficiency. The one mounted at Sandia national Laboratories produces as so much as 25kW of electrical energy with conversion efficiency of forty.7%. As a solar vigor plant does no longer eat any gas, the cost more commonly contains capital cost and some operational bills. If lifetime of plant and curiosity are identified then price for kWh can also be calculated. Sun applied sciences have the talents to be mayor contributors to the worldwide vigor supply. The capacity to dispatch vigor allows significant scale critical solar applied sciences to furnish 50% or more of the power wishes in sunny regions around the world. Colossal scale sunlight applied sciences can furnish vigor rate steadiness as well as nice jobs to the neighbourhood community. Sun vigor has the potential to end up mayor a home power useful resource in the twenty first century.

REFERENCES:

1. U.S. Department of Energy, June 2003, Parabolic Trough Solar Thermal Electric Power Plants, Availablefrom: <http://www.nrel.gov/docs/fy03osti/34186.pdf> [accessed 30 march 2012
2. Breyer C., Knies G. Global energy supply potential of concentrating solar power Proceedings of the solar power and chemical energy systems(conference). Berlin; September 2009.
3. Key T. Solar thermal electric technology. California: Electric Power Research Institute; 2006
4. J. Usaola, "Operation of concentrating solar power plants with storage in spot electricity market," IET Renewable Power Generation, vol. 6, no. 1, pp. 59-66, 2012.
5. R. Sioshansi, P. Denholm, "The value of concentrating solar power and thermal energy ," IEEE (2012)