



Bus Voltage Control with Zero Distortion for Single-Phase Solar Inverters

P. Kamalakar

M.Tech, Research Scholar, Department of EEE

ABSTRACT

Single-phase voltage source inverters are commonly used for interfacing small distributed generation units to the grid. Instead of reducing the distortion by lowering the loop gain, the new controller employs a digital FIR filter that samples the bus voltage at an integer multiple of the second harmonic frequency. The operating principle and modulation scheme are described. A closed loop control method is developed to enhance twice the line frequency ripple power compensation performance. The guide for the selection of the decoupling capacitance is also discussed. Simulations and experimental results are presented to show the effectiveness of the method. This paper shows that this can be done by using a voltage ripple estimator along with a larger bandwidth for the voltage control loop and additional measures. The filter presents a notch that removes the second harmonic ripple, enabling a design that operates with zero distortion and high bandwidth simultaneously, and is suitable for inverters with small bus capacitors. The proposed controller is tested on a micro inverter prototype with a 300-W photovoltaic panel and a 20- μ F bus capacitor.

Keywords: Inverter, PV panel, Harmonic Distortion, PWM Signal

I. INTRODUCTION

Comparison to other photovoltaic (PV) architectures, a main advantage of the micro inverter architecture is flexibility and modularity. For this reason, these devices have been gaining popularity, especially at small urban installations, where modularity and

individual maximum power point (MPP) tracking are an advantage. Each micro inverter is connected to a single PV source and directly to the ac line so they are easy to install, and can track the MPP of their adjacent PV sources [1]. In addition, the micro inverter architecture is tolerant to failures, because any single failure does not disproportionately reduce the output power of the system. Therefore, active methods sharing switches partially and even entirely between the decoupling and original circuits are proposed [2]. The shared switches can be a bridge arm or two upper/lower switches. However, the penalties for reducing switches may be the reduced voltage utility ratio, increased switches voltage stress and the increased complexity in modulation and control. Traditionally, the electric power plants are located far from load centers. But distributed generation using PV, wind, fuel cell etc. are normally installed in distribution level close to the loads and tends to reduce the fuel cost as well as major investment in transmission system. These distributed energy resources are connected to the grid by means of power electronic converters. Normally single phase voltage source inverter is used as a power interface for low power consumer owned PV power generation [3-5]. The power interface transfers active power to the grid and can also provide reactive power compensation adding value to the distributed power source. Due to this difference, the bus voltage includes a harmonic component at twice the ac line frequency, which is a direct outcome of the balance of powers and cannot be mitigated by control. This harmonic component, the second harmonic ripple, may degrade the

efficiency and stability of the inverter if not handled appropriately by the inverter control circuitry [6]. Traditionally, the bus capacitor has been a high-capacitance low-voltage electrolytic capacitor. However, electrolytic capacitors are known to have limited lifetime and are not compatible with the 20 year or longer lifetime that is desired for modern solar power systems. To increase the system lifetime, a high-voltage film or similar capacitor for energy storage is preferred. Because of their increased cost, the size of these capacitors must be minimized [7]. Each micro inverter is connected to a single PV source and directly to the ac line so they are easy to install, and can track the MPP of their adjacent PV sources. In addition, the micro inverter architecture is tolerant to failures, because any single failure does not disproportionately reduce the output power of the system. The capacitor between these stages, the bus capacitor, is an internal energy storage device. The energy and consequently, the voltage on this capacitor are determined by the difference in power, the constant input power that charges the capacitor, and the pulsating output power that discharges it. Due to this difference, the bus voltage includes a harmonic component at twice the ac line frequency, which is a direct outcome of the balance of powers and cannot be mitigated by control [8,9]. This harmonic component, the second harmonic ripple, may degrade the efficiency and stability of the inverter if not handled appropriately by the inverter control circuitry. Traditionally, the bus capacitor has been a high-capacitance low-voltage electrolytic capacitor. However, electrolytic capacitors are known to have limited lifetime and are not compatible with the 20 year or longer lifetime that is desired for modern solar power systems [10]. To increase the system lifetime, a high voltage film or similar capacitor for energy storage is preferred. Because of their increased cost, the size of these capacitors must be minimized [11,12].

II. BACKGROUND AND MOTIVATION

Integration of PV power generation systems in the grid plays an important role in securing the electric power supply in an environmentally-friendly manner. Grid-connected PV inverters are needed to extract the energy from the PV modules and feed it into the utility grid while ensuring the power quality follows certain grid interconnection standards such as IEEE-1547. Under the micro FIT program, they will be paid a much higher price for the electricity that the projects produce comparing to the standard price people pay

for their electricity. Particularly, for PV rooftop generation, the contract price paid is 80.2 cents/kWh, whereas the blended rate of electricity in Ontario is 7.74 cents/kWh in the summer period. Therefore, with the help of such stimulation programs, a growing market exists for residential PV inverters. Many companies such as National Semiconductor and Emphases are expanding their business in the area of residential PV inverters.

A. Photovoltaic

Photo voltaic (PV) is the name of a method of converting solar energy into direct current electricity using semiconducting materials that exhibit the photovoltaic effect, a phenomenon commonly studied in physics, photo chemistry and electro chemistry. It was billed as a solar battery and was mostly just a curiosity as it was too expensive to gain widespread use. In the 1960s, the space industry began to make the first serious use of the technology to provide power aboard spacecraft. Through the space programs, the technology advanced, its reliability was established, and the cost began to decline. Grid connected PV systems are categorized based on the number of power stages.

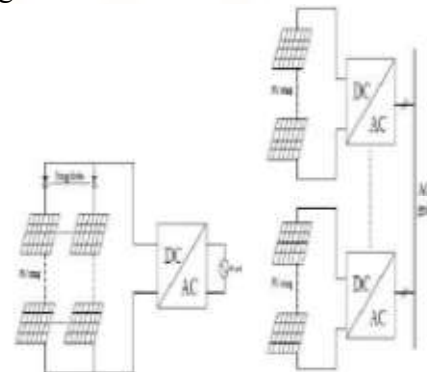


Fig.1 Centralized inverter configuration

B. Two Stage Inverters

In order to improve the energy harvesting capabilities and design flexibility, dedicated DC/DC converters, which perform MPPT for each PV string, can be connected in the middle between the PV modules and the DC/AC inverter. The system shown has its PCC at the AC terminal. This system type benefits from its modularity and the capability of plug and-play installation by users that possess limited knowledge of electrical systems. The output from the DC/DC converter in this configuration can be either a low ripple DC voltage, or a modulated current that follows a rectified sine wave. In the latter case, the DC/DC converter handles MPPT and output current regulation while the DC/AC inverter switches at the grid

frequency to unfold the rectified sine wave. Reference[10] is an example of the unfolding configuration.

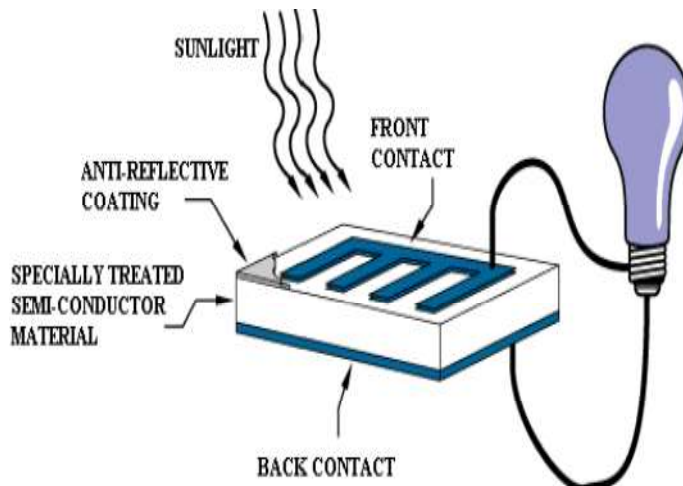


Fig.2 PV Panel

The diagram above illustrates the operation of a basic photovoltaic cell, also called a solar cell. Solar cells are made of the same kinds of semiconductor materials, such as silicon, used in the microelectronics industry. For solar cells, a thin semiconductor wafer is specially treated to form an electric field, positive on one side and negative on the other. When light energy strikes the solar cell, electrons are knocked loose from the atoms in the semiconductor material. If electrical conductors are attached to the positive and negative sides, forming an electrical circuit, the electrons can be captured in the form of an electric current -- that is, electricity. This electricity can then be used to power a load, such as a light or a tool.

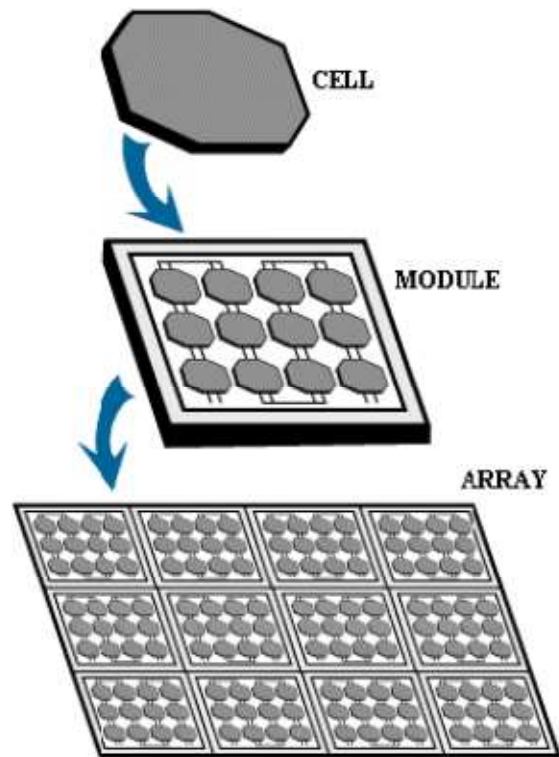


Fig.3 PV Array Module

Multiple modules can be wired together to form an array. In general, the larger the area of a module or array, the more electricity that will be produced. Photovoltaic modules and arrays produce direct-current (dc) electricity. They can be connected in both series and parallel electrical arrangements to produce any required voltage and current combination.

III. PROPOSED SYSTEM

This paper explains the tradeoff between bandwidth and harmonic distortion in the bus voltage loop, and provides a new control method for regulating the bus voltage, a method that is simple, low cost, and does not require additional hardware. The proposed controller uses a digital finite impulse response (FIR) filter that samples the bus voltage at a slow sampling rate that is an integer multiple of the ac line second harmonic frequency. This digital filter achieves what a simple analog feedback cannot; it extracts the low-frequency components of the bus voltage signal, measuring the average bus voltage, while effectively filtering the noise of the second harmonic ripple.

A. Reducing the Size of the DC-link Capacitor

Therefore, the DC-link contains power pulsation with twice the grid frequency. Often, large electrolytic capacitors are connected to the DC-link to absorb this power pulsation so that the DC-link voltage ripple can be kept small. However, most PV module manufacturers offer 25 year warranties on 80% of the

initial efficiency and five years warranty on materials and workmanship [8]. Therefore, electrolytic capacitors with large capacitance cannot be used in PV applications because of their short lifetime. Many techniques were proposed to reduce the size of the DC-link capacitor while maintaining a good inverter power quality so that a more reliable film type capacitor can be used. The switches used in the auxiliary circuit must have rating comparable to the main power stage switches. Therefore, although such methods can solve the problem of double-line frequency ripple, they are not a viable solution considering the extra cost and energy loss associated with the introduction of the auxiliary circuit.

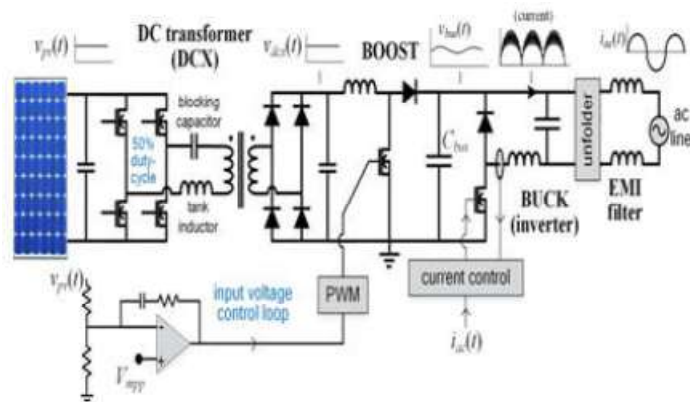


Fig.5 Circuit Diagram

IV. CONCLUSION

In PV micro inverters, a major challenge that one encounters when designing the bus voltage loop is the trade off between distortion and bandwidth, and the bus capacitor size, a tradeoff that is difficult and even impossible to solve when the bus capacitor is small and the second harmonic ripple is high. This paper analyzes this tradeoff, providing expressions for the harmonic distortion, and evaluating the loop dynamics. A conclusion of this analysis is that both the distortion and the bandwidth are affected by one main parameter, the loop gain. To eliminate this tradeoff, this paper proposes a digital controller that operates with low distortion and high bandwidth simultaneously. Instead of reducing the distortion for mitigating the ripple, the digital controller uses a FIR filter that samples the bus voltage at a rate that is an integer multiple of the second harmonic frequency, and presents a notch that removes the second harmonic ripple. This enables a simple and low cost design, a design that has high band width, causes negligible distortion in the ac line current, can be implemented with an inexpensive microcontroller, and operates well with a small bus capacitor.

REFERENCES

- 1) G. N. Garcia, "Direct brain-computer communication through scalp recorded EEG signals," Doctor's thesis, Department of Electricity, Ecole Poly technique Federalae de Lausanne, Switzerland, 2004.
- 2) J. d. R. Milan, Brain Computer Interfaces, Handbook of Brain Theory and Neural Networks, 2nd ed., Cambridge, MA, The MIT Press, 2002.
- 3) J. R. Wolpaw, D. J. McFarland, T. M. Vaughan, "Brain Computer Interface Research at the Wadsworth Center," IEEE Transactions on Neural Systems, Eng, vol. 8, 2000.
- 4) N. Birbaumer, "A spelling device for the paralyzed," Nature, vol. 398, 1999.
- 5) J. Kalcher, "Graz brain-computer interface II," Med. & Biol. Eng. & Comput., vol. 34, 1996.
- 6) B. Obermaier, C. Neuper, C. Guger, G. Pfurtscheller, "Information Transfer Rate in a Five-Class Brain Computer Interface," IEEE Transactions on Neural Systems and Rehabilitation Engineering, vol. 9, no. 3, 2001.
- 7) J. R. Wolpaw, D. J. McFarland, "Multichannel EEG based brain-computer communication," Electroenceph. Neurophysiol. vol. 90, 1994.
- 8) C. W. Anderson, "Effects of variations in neural networks topology and output averaging on the discriminations of mental task from spontaneous EEG," Journal of Intelligent System, vol. 7, pp. 165-190, 1997.
- 9) J. d. R. Milan, Brain Computer Interfaces, Handbook of Brain Theory and Neural Networks, Second editions, Cambridge, MA, The MIT Press, 2002.
- 10) J. D. Bayliss, "Use of the Evoked Potential P3 Components for Control in a Virtual Apartment," IEEE Transactions Rehabilitation Engineering, vol. 11, no. 2, 2003.
- 11) B. Obermaier, G. Müller, G. Pfurtscheller, "Virtual Keyboard controlled by spontaneous EEG activity," Proc. of the Int. Conference on Artificial Neural Networks, Heidelberg: Springer-Verlag, 2001.
- 12) J. del R. Millán and J. Mourino, "Asynchronous BCI and local neural classifiers: an overview of the adaptive brain interface project," IEEE Transactions on Neural Systems and Rehabilitation Engineering, vol. 11, no. 2, pp. 159-161, 2003